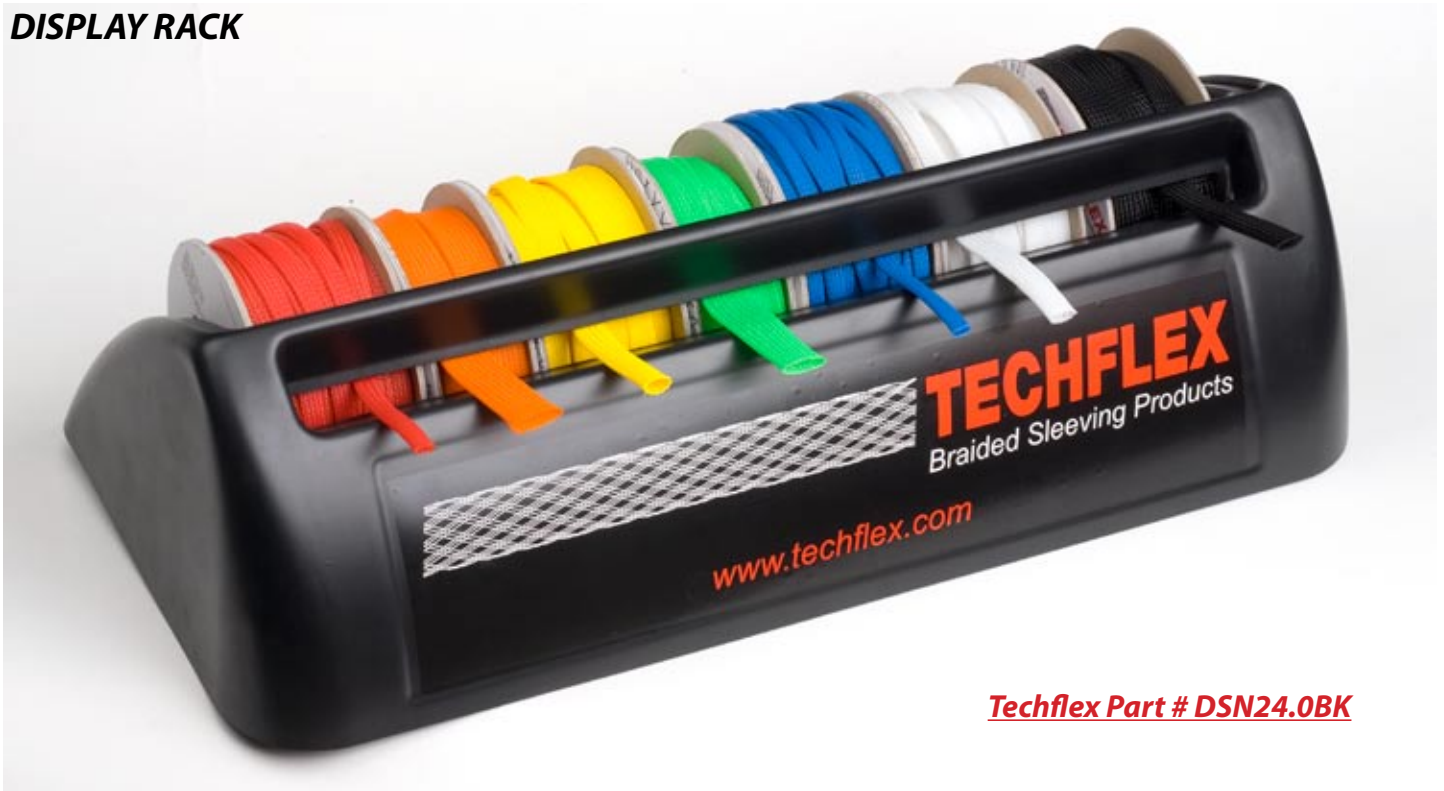


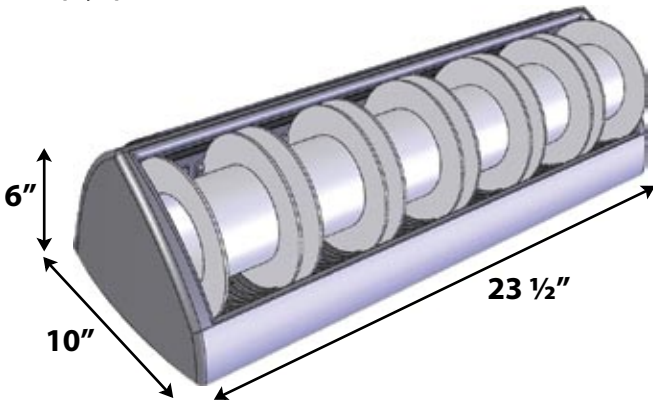
TECHFLEX
Braided Sleeving Products

DISPLAY RACK



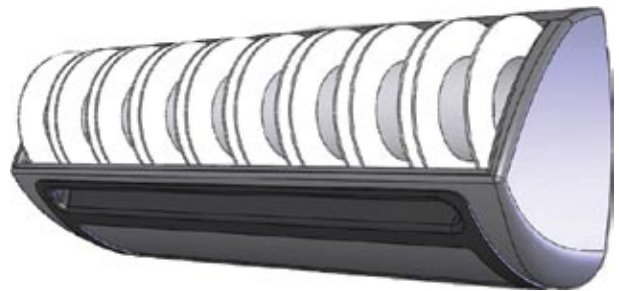
Techflex Part # DSN24.0BK

Spool and product management is now simpler and more efficient than ever. Our new display/dispenser rack allows easy control of sleeving inventories and provides a controlled system of neatly dispensing directly from the spools. The rack is constructed from tough ABC plastic, with plenty of room for a wide range of products. The spools simply drop into the preformed slots and turn freely for dispensing. Full visibility and access ensures easy management of remaining inventory and simple drop-in replacement of empty spools.



←... *Space saving,
easy access design*

*Engineered for easy ...→
and secure wall mounting*



The display racks can be installed on:

- a). Slot Wall
- b). Grid Wall
- c). Counter
- d). Wall

DISPLAYS EASILY 4 WAYS

a). SLOT WALL

Step 1

Insert Screws in Z Plate.



Step 2

Install Plates on a Slot Wall.



Step 3

Mount Rack Aligning Screws.



Step 4

Install Nuts.



Step 5

Display Rack on a Slot Wall.



b). GRID WALL

Step 1

Insert Screws Through a Grid Wall Hook Into the Back of a Display Rack.



Step 2

Install Nuts.



Step 3

Hang Display Rack on a Grid Wall.



Spools fit into display rack.

Look for this icon in your Techflex Performance Sleeving catalog under the Put-Ups tables.



The display rack holds 7 shop spools or 9 retail spools.

c). COUNTER

Place Your Display Rack on any Flat Surface.



d). WALL

Screw Your Display Rack Directly to the Wall.



You Can Also Add Anchors for Extra Support.



TECHFLEX
Braided Sleeving Products

29 Brookfield Drive • Sparta, NJ 07871
Tel: 1-800-323-5140, 1-973-300-9242 • Fax: 1-973-300-9409
www.techflex.com